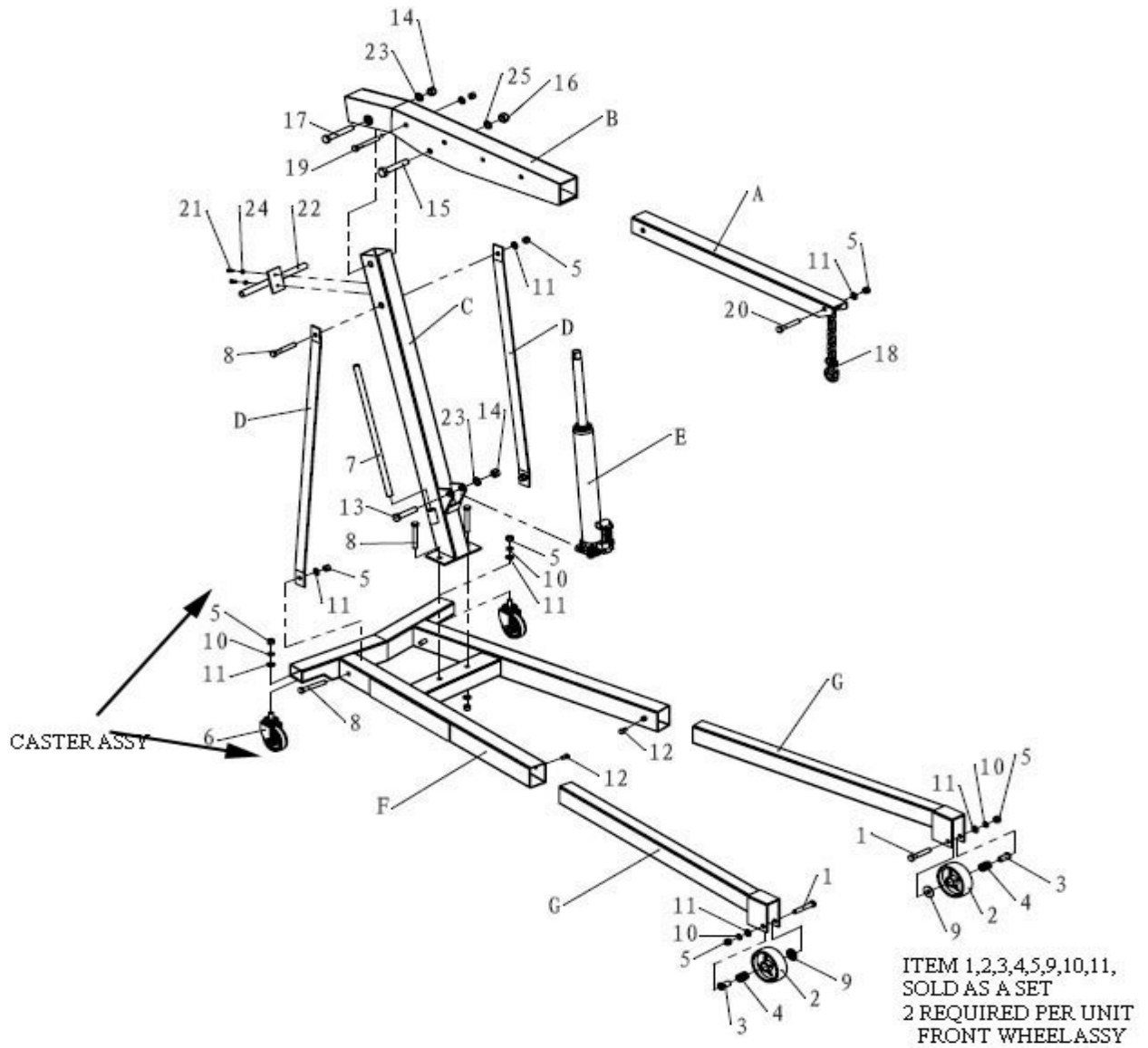
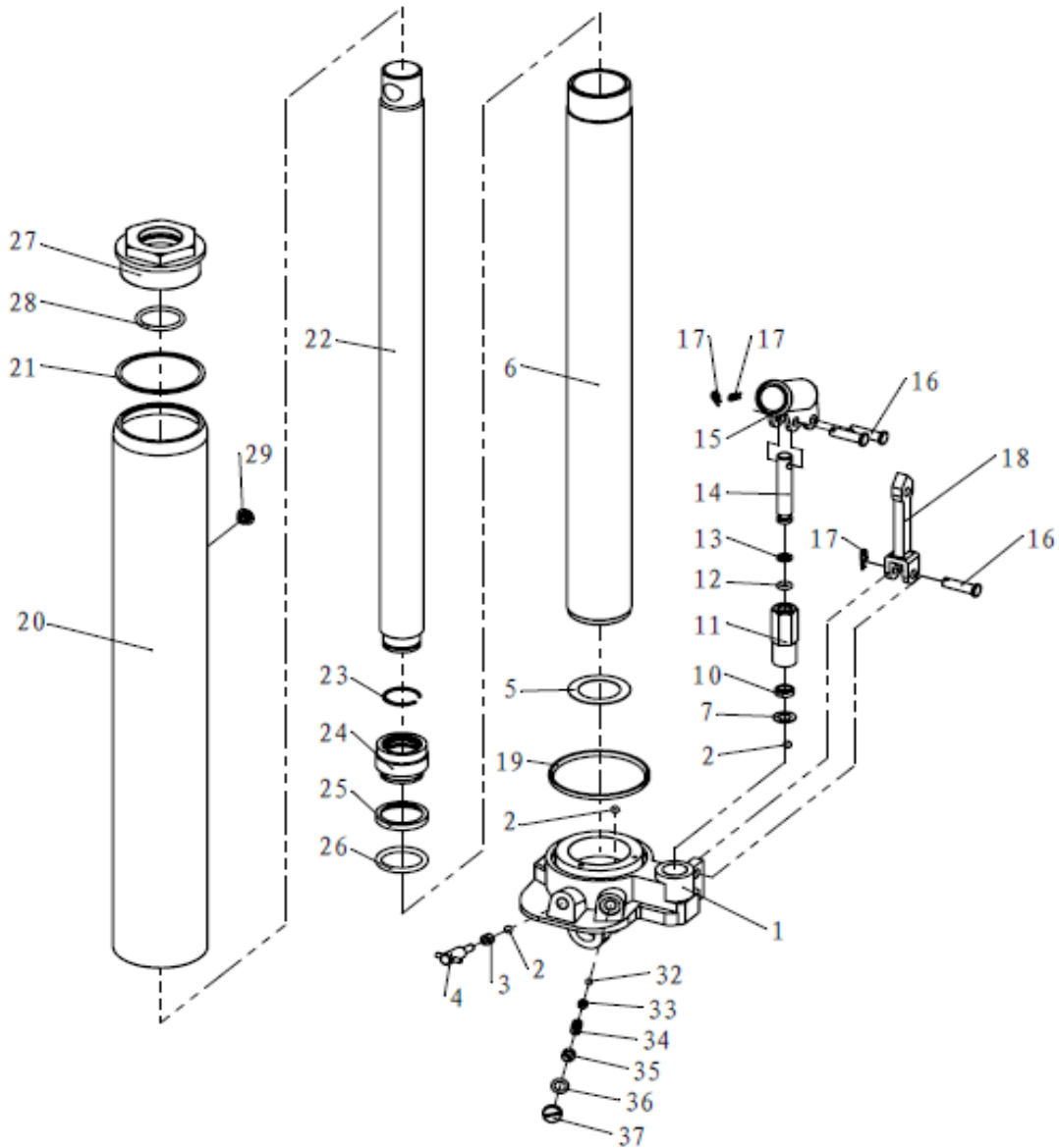


3 TON SHOP CRANE MODEL 218 #030321



REF	PART NUMBER	DESCRIPTION	REQ	REF	PART NUMBER	DESCRIPTION	REQ	REF	PART NUMBER	DESCRIPTION	REQ
A	PFH-218P0A	BOOM EXTENSION	1	4		NEEDLES	32	15		BOLT M22 X 125	1
B	PFH-218P0B	BOOM	1	5		NUT M16	11	16		NUT M22	1
C	PFH-218P0C	UPRIGHT MAST	1	6	PFH-218P06	CASTER ASSY	2	17		BOLT M20 X 135	1
D	PFH-218P0D	BRACE	2	7	PFH-218P07	JACK HANDLE	1	18	PFH-218P18	HOOK AND CHAIN	1
E	PFH-218P0E	HYD RAM	1	8		BOLT M16 X 10	5	19		BOLT M16 X 120	1
F	PFH-218P0F	BASE	1	9		COVER	2	20		BOLT M16 X 100	1
G	PFH-218P0G	LEG EXTENSION	2	10		SPRING WASHER #16	4	21		BOLT M8 X 20	2
1		BOLT M16 X 95	2	11		WASHER #16	11	22	PFH-218P22	HANDLE	1
2	PFH-218P02	FRONT WHEEL ASSY	2	12		SETSCREWS M12 X 20	2	23		WASHER # 20	2
3		BUSHING	2	13		BOLT M20 X 100	1	24		WASHER # 8	2
				14		NUT M20	2	25		WASHER # 22	1

PARTS LIST-HYDRAULIC JACK



- PFH-218H04 RELEASE VALVE
- PFH-218H04K KNOB W SPRING NOT SHOWN
- PFH-218H15 FULLCRUM ASSY
- PFH-218PRK REPAIR KIT FOR RAM